



Features:

26 ga Galvanized  
Metal Frame

Injection molded  
plastic media  
separators

Optional galvanized  
metal media  
separators

100% polypropylene  
media

Available in box style  
and headered  
construction

Available in 6" and  
12" depths

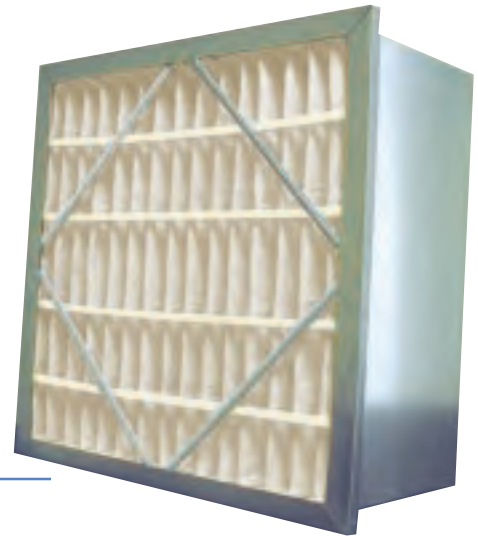
Available in 50%,  
65%, 85%, and 95%  
efficiencies per  
ASHRAE 52.1

Available in MERV  
11, 12, 13 and 14  
efficiencies per  
ASHRAE 52.2

Expanded metal  
media support grid

Water resistant  
media to frame  
adhesive

UL Class II rated as  
per UL 900 standard



## AIRFLOW PAK

### *Extended surface self-supported rigid box filter*

**AIRFLOW PAK** extended surface self-supported rigid box filters are designed for use in air filtration systems and equipment where medium to high efficiency filtration is required. Available in a wide variety of standard sizes and depths, the AIRFLOW PAK provides optimal performance in variable air volume systems.

Galvanized frame construction, diagonal metal support stabilizers, injection molded plastic media separators and expanded metal media support create one of the most rigid filters of its type in the industry.

The media pack, comprised of 100% polypropylene fibers, is bonded to the inside perimeter of the enclosure frame by a moisture resistant adhesive, providing a continuous and positive seal.

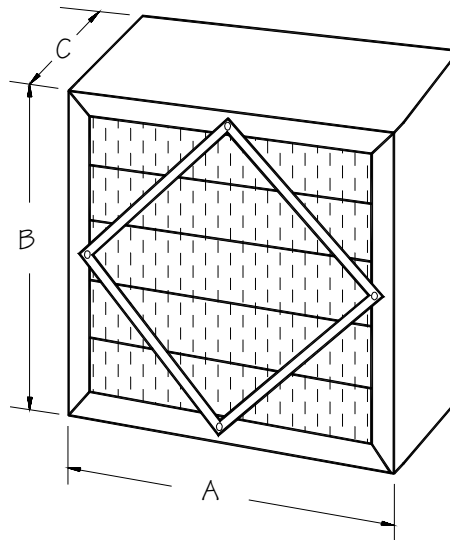
The standard offering is rated by Underwriters Laboratories as Class II, per UL Standard 900.

The AIRFLOW PAK is designed so as to work suitably within built up filter banks and/or side access systems. The standard offering is box-type in construction. Peripheral headers, (7/8") are available as an option.

Rigid construction, extended surface, low initial pressure drop measured in inches w.g., long service life and savings in energy costs are features and benefits which make the AIRFLOW PAK an excellent option for meeting the requirements of medium to high efficiency filtration.

# AIRFLOW PAK

The Airflow Pak is made from 100% synthetic polypropylene microfiber media attached to a 26 gauge galvanized steel frame using a solid, water-resistant adhesive. The media support stabilizers are sturdy polypropylene polymer. Galvanized cross braces upstream and downstream are standard. Sturdy expanded metal faceguards are offered as an option. The Airflow Pak is also available with header.

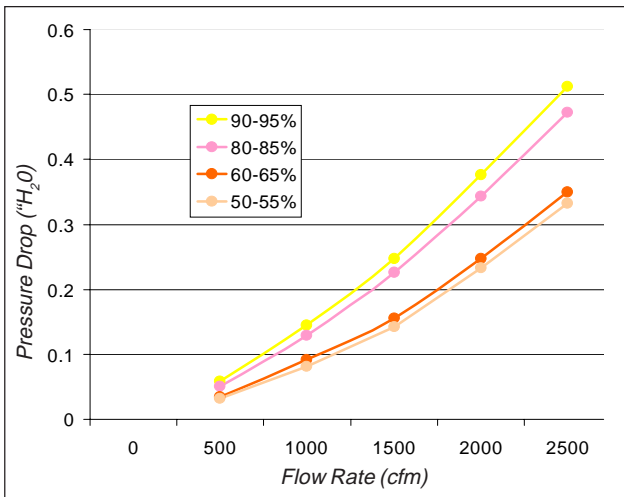


## Size Chart - AFP50, AFP65, AFP85 & AFP95

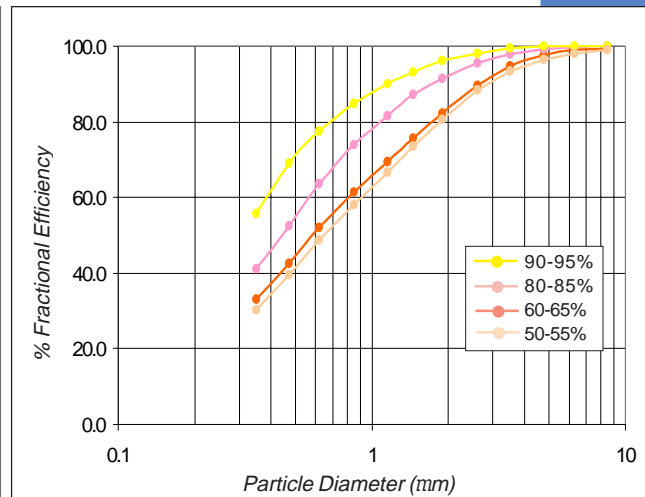
Model Number	Nominal Size	Width "A"	Height "B"	Depth "C"
AFPxxS-4412	24x24x12	23-3/8"	23-3/8"	11-1/2"
AFPxxS-2412	12x24x12	11-3/8"	23-3/8"	11-1/2"
AFPxxS-0412	20x24x12	19-3/8"	23-3/8"	11-1/2"
AFPxxS-0012	20x20x12	19-3/8"	19-3/8"	11-1/2"
AFPxxS-6012	16x20x12	15-3/8"	19-3/8"	11-1/2"
AFPxxS-6512	16x25x12	15-3/8"	24-3/8"	11-1/2"
AFPxxS-4406	24x24x06	23-3/8"	23-3/8"	5-7/8"
AFPxxS-2406	12x24x06	11-3/8"	23-3/8"	5-7/8"
AFPxxS-0406	20x24x06	19-3/8"	23-3/8"	5-7/8"
AFPxxS-0006	20x20x06	19-3/8"	19-3/8"	5-7/8"
AFPxxS-6006	16x20x06	15-3/8"	19-3/8"	5-7/8"
AFPxxS-6506	16x25x06	15-3/8"	24-3/8"	5-7/8"

Note: To order header version Airflow Pak, add H to Model Number, example: AFPxxS-4412H.

## Pressure Drop vs. Flow Rate



## Efficiency vs. Particle Diameter



100 Oak Tree Drive  
Selma, North Carolina 27576  
(919) 975-0240 Tel  
(919) 975-0250 Fax

Distributed by:

Filtech Inc.  
221W. 8<sup>th</sup> Ave.  
West Homestead, PA15120  
Ph. (412) 461-1400 Fax (412) 461-2846  
Email: [filtersales@filtechinc.com](mailto:filtersales@filtechinc.com)  
Website: [www.filtechinc.com](http://www.filtechinc.com)

